



MORE LIGHT

JOLD-25-CPNN-1L | JOLD-23-CPFN-1L

Open heat sink diode lasers: cw, passively cooled | with(out) collimation | 1470 nm

Order code 580198 | Order code 580199

Features

- High optical output power up to 25 W cw
- Wavelength: 1470 nm
- High efficiency, low divergences
- Long lifetime, high reliability

Applications

- Industrial applications
- Medical applications

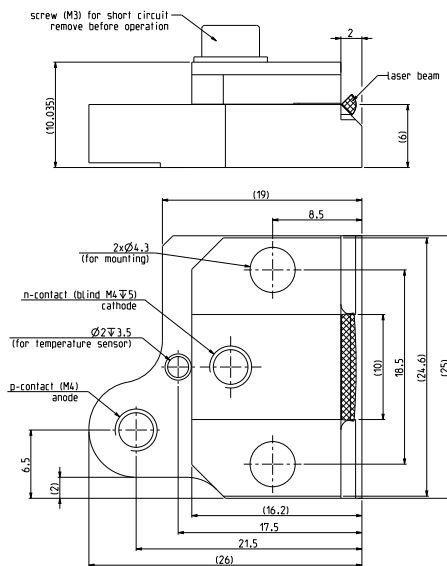
Open heat sink diode lasers | cw, passively cooled | with(out) collimation | 1470 nm

JOLD-25-CPNN-1L | JOLD-23-CPFN-1L

Specifications (start of life)	JOLD-25-CPNN-1L Order code 580198	JOLD-23-CPFN-1L Order code 580199	
Operation Mode	cw, power modulation only between threshold and maximum current		
Maximum Optical Output Power	25		W
Maximum Optical Output Power after Collimation		23	W
Center Wavelength at 20 °C	1470	1470	nm
Center Wavelength Variation at 20 °C	+5/-15	+5/-15	nm
Typical Spectral Bandwidth (FWHM)	10	10	nm
Maximum Spectral Bandwidth (FWHM)	15	15	nm
Typical Operating Current	62	62	A
Maximum Operating Current	80	80	A
Typical Threshold Current	10	10	A
Maximum Threshold Current	12	12	A
Typical Slope	0.50	0.45	W/A
Minimum Slope	0.35	0.30	W/A
Maximum Operating Voltage	1.3	1.3	V
Fast Axis Divergence (Full Power)		< 0.5	°
Typical Fast Axis Divergence FWHM	26		°
Typical Fast Axis Divergence 95 %	61		°
Typical Slow Axis Divergence FWHM	7	7	°
Typical Slow Axis Divergence 95 %	9	9	°
Anode Connector	Threaded hole M4		
Cathode Connector	Threaded hole M4		
Weight	35	35	g
Operation Conditions	Cleanroom class ISO 5, non-condensing atmosphere		
Expected Lifetime	> 5,000 h (constant current)		
Cooling			
Mounting	Via thermally conductive foil (thickness 25 ... 100 µm) on cooled surface (water cooled plate or TEC)		
Note	Do not mount via any paste-like media!		
Operation Temperature	15 ... 30 °C, measured with temperature sensor in heat sink		

See general user information!

Options on request: For additional designs or specifications please visit our website: www.jenoptik.com



pat.
EP2324544B1,
EP2291890B1,
CN102067395B,
US8649405B2,
JP5622721B2.

JENOPTIK Optical Systems GmbH
Goeschwitzer Strasse 25 | 07745 Jena | Germany
Phone +49 3641 65-3053 | Fax +49 3641 65-4011
laser.sales@jenoptik.com | www.jenoptik.com

