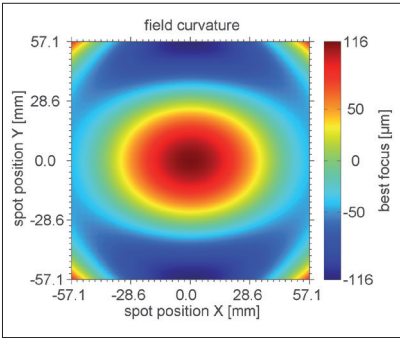
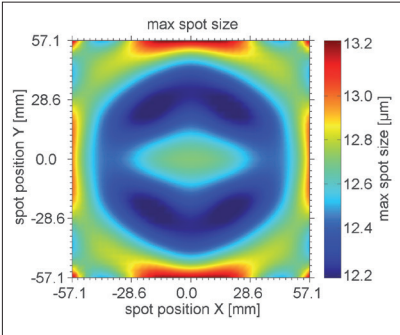


F-Theta JENar™ Lens Series

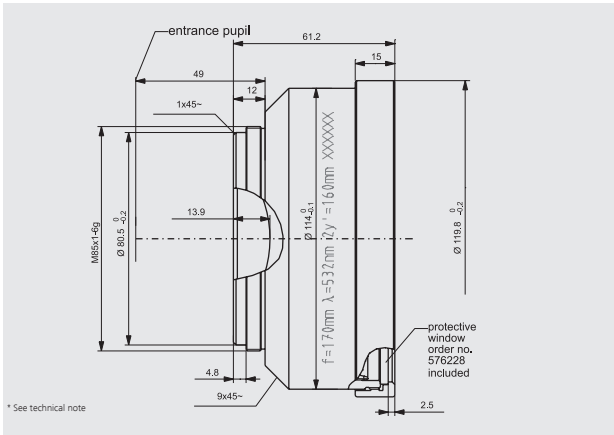
High Image Quality – JENar™ 170-515...540-160

Parameters	JENar™ 170-515...540-160 F-Theta lens for high image quality
Focal length:	170 mm
Wavelength:	515...540 nm
Scan field (X x Y); Ø:	(113 mm x 113 mm); 160 mm
Diagonal scan angle:	54°
Back working distance:	195 mm
Flange focus distance:	244 mm
Input beam Ø 1/e ² :	14 mm
Focus size Ø 1/e ² :	12 µm
a1:	17 mm
a2:	40.5 mm
Telecentricity (only F-Theta with scanner):	10.9° 11°
Group delay dispersion (GDD)*:	7100 fs ²
LIDT coating pulsed; CW*:	2.5 J/cm ² * (τ/[ns]) ^ 0.35; 2.5 MW/cm ²
LIDT system pulsed; CW*:	The system LIDT depends strongly on used laser parameters. Please be advised to test.
Weight:	1.213 kg
Order Number::	017700-206-26

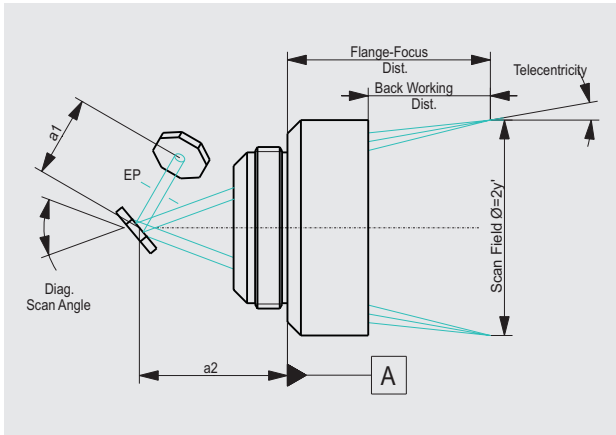
Spot properties



Specifications JENar™ 170-515...540-160



Definition of geometrical parameters



JENar®: Registered in EU, CN, JP, SG, US | F-Theta: Registered Design in EU, CN, KR, JP, SG, IN, HK, TW

The data given are nominal values for the specified application parameters. Jenoptik provides Zemax® BlackBox files for simulating application results for customized parameters (e.g. wavelength, scanner geometry, beam diameter, ...).
Back working distance, Flange focus distance, and focal length vary by ± 1.5 % due to manufacturing variances.

It is our policy to constantly improve the design and specifications. Accordingly, the details represented herein cannot be regarded as final and binding.

