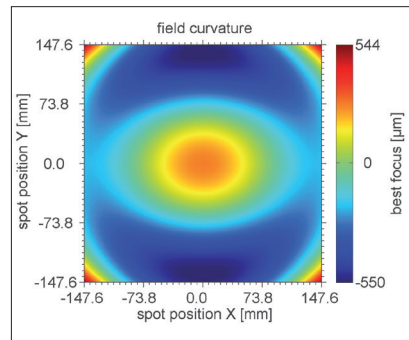
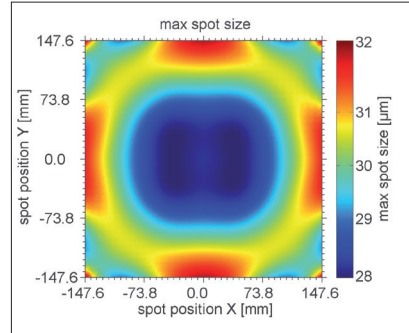


F-Theta JENar™ Lens Series

Large Scan Fields – JENar™ 420-515...540-420

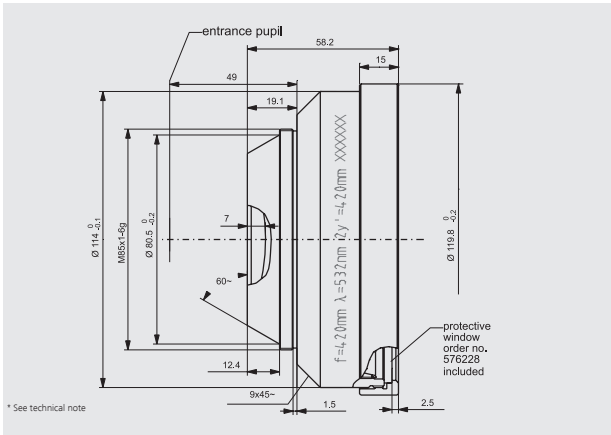
Parameters	JENar™ 420-515...540-420 F-Theta lens for large scan fields
Focal length:	420 mm
Wavelength:	515...540 nm
Scan field (X x Y); Ø:	(297 mm x 297 mm); 420 mm
Diagonal scan angle:	57.1°
Back working distance:	485.2 mm
Flange focus distance:	524.3 mm
Input beam Ø 1/e²:	15 mm
Focus size Ø 1/e²:	27 µm
a1:	17 mm
a2:	40.5 mm
Telecentricity (only F-Theta with scanner):	19.3° 19.3°
Group delay dispersion (GDD)*:	4860 fs²
LIDT coating pulsed; CW*:	2.5 J/cm² * (τ/[ns]) ^ 0.35; 2.5 MW/cm²
LIDT system pulsed; CW*:	The system LIDT depends strongly on used laser parameters. Please be advised to test.
Weight:	0.978 kg
Order Number::	017700-207-26

Spot properties

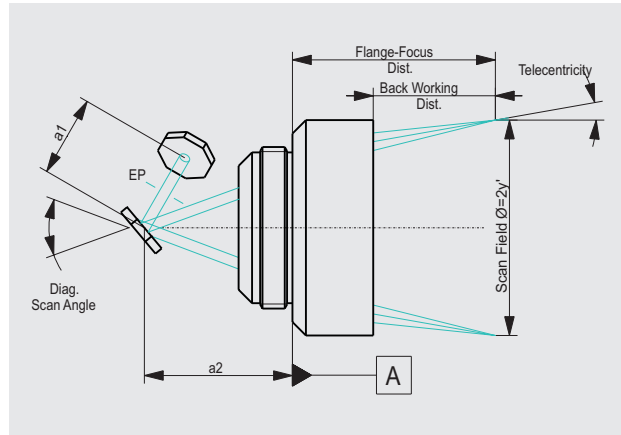


Specifications

JENar™ 420-515...540-420



Definition of geometrical parameters



JENar®: Registered in EU, CN, JP, SG, US | F-Theta: Registered Design in EU, CN, KR, JP, SG, IN, HK, TW

The data given are nominal values for the specified application parameters. Jenoptik provides Zemax® BlackBox files for simulating application results for customized parameters (e.g. wavelength, scanner geometry, beam diameter, ...).
Back working distance, Flange focus distance, and focal length vary by ± 1.5 % due to manufacturing variances.

It is our policy to constantly improve the design and specifications. Accordingly, the details represented herein cannot be regarded as final and binding.