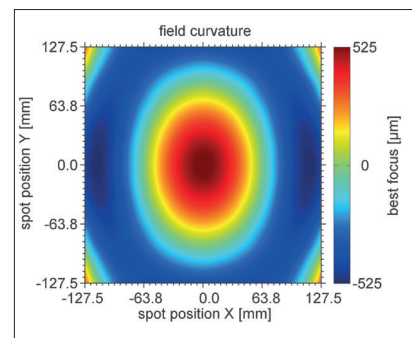
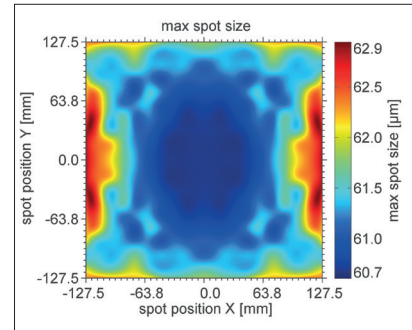


NEW

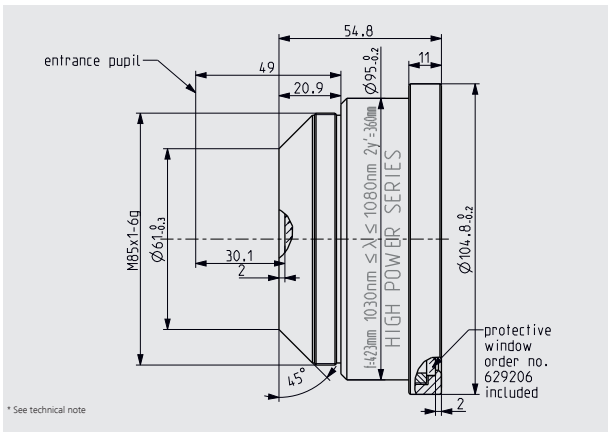
F-Theta JENar™ Silverline™ Lens High Power Lens – JENar™ 423-1030...1080-360

Parameters	JENar™ 423-1030...1080-360 Fused silica lens for large scan fields**
Focal length:	423 mm
Wavelength:	1030...1080 nm
Scan field (X x Y); Ø:	(255 mm x 255 mm); 360 mm
Diagonal scan angle:	± 24.4°
X/Y mirror angle:	± 8.7°
Back working distance:	500.2 mm
Flange focus distance:	534.1 mm
Input beam Ø 1/e ² :	14 mm
Focus size Ø 1/e ² :	59 µm
a1 a2:	17 mm 40.5 mm
Telecentricity (only F-Theta with scanner):	16.4° 16.4°
Absorption:	fused silica: < 15 ppm/cm coating: < 5 ppm (mean = 3 ppm)
Group delay dispersion (GDD)*:	621 fs ²
LIDT coating pulsed; CW*:	5.0 J/cm ² * (τ/[ns]) ^ 0.30; 5.0 MW/cm ²
LIDT system pulsed; CW*:	5.0 J/cm ² * (τ/[ns]) ^ 0.30; 5.0 MW/cm ²
Weight:	0.66 kg
Order Number:	609120

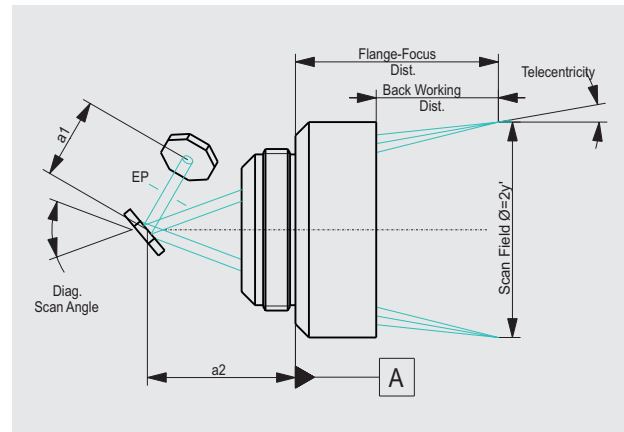
Spot properties



Specifications JENar™ 423-1030...1080-360



Definition of geometrical parameters



JENar®: Registered in EU, CN, JP, SG, US | Silverline®: Registered in DE, JP, SG, IN

The data given are nominal values for the specified application parameters. Jenoptik provides Zemax® BlackBox files for simulating application results for customized parameters (e.g. wavelength, scanner geometry, beam diameter, ...).
Back working distance, Flange focus distance, and focal length vary by ± 1.5 % due to manufacturing variances.

It is our policy to constantly improve the design and specifications. Accordingly, the details represented herein cannot be regarded as final and binding.