



PROGRES *SpeedXT* core[®] 5

Technical data

KEY FACTS

- 5 MPix CCD microscope camera
- 13 fps at 5 MPix
- USB 2.0 interface
- 3.4 x 3.4 µm pixel size
- 2/3" sensor
- 12 bit
- Software included

SYSTEM REQUIREMENTS

Personal computer	Intel i7 (Quad-Core) processor or comparable / 8 GB RAM
Operating system	WIN 7 / 8 / 10 MAC El Capitan LINUX Ubuntu 14.04 LTS
Data interface	USB 3.0 or USB 2.0 integrated
Monitor resolution	1920 x 1080 or higher
Software (included in the package)	PROGRES GRYPHAX [®] (64 bit operating systems only)

IMAGE SENSOR

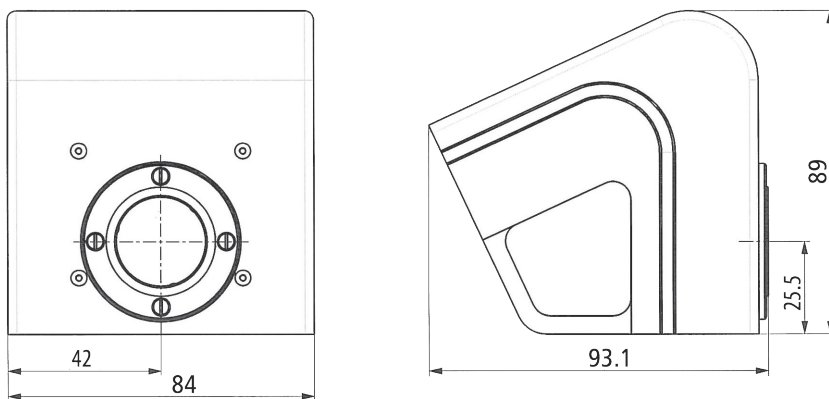
Type square utilised sensor diagonal	SONY CCD 2/3" 10.95 mm
Pixel dimensions	3.4 x 3.4 µm
Color or monochrome	Color
Transfer method shutter mode	Progressive scan Global shutter
Full sensor resolution	2576 x 1932 pixel

CAMERA

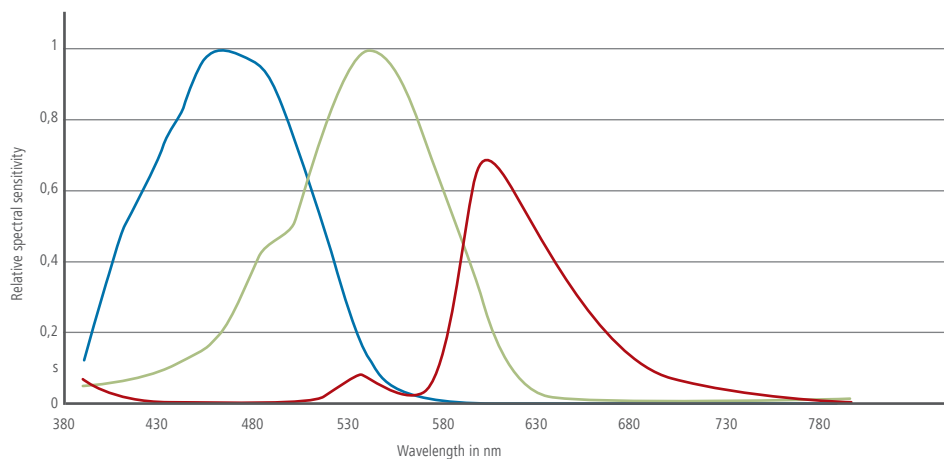
Camera resolution in LIVE mode	Full HD 1920 x 1080 pixel (15 fps) 2576 x 1932 pixel (13 fps)
Camera resolution in RECORD mode	Full HD 1920 x 1080 pixel up to 2576 x 1932 pixel
Exposure time min. - max.	52 µs - 10 s
Gain	Max. 10
A/D conversion	12 bit (4096 grey values)
Absolute sensitivity threshold*	14.5 e-
Saturation capacity*	8500 e-
Dynamic range*	56 dB

*based on EMVA 1288 standard compliance guidelines

Filter	IR cut I optional clear-glass
Optical interface	C-mount
Power consumption	Appr. 2.5 W
Dimensions	93 mm x 84 mm x 89 mm
Weight	Appr. 700 g
Storage options	-20°C up to +70°C
Operating temperature	+10°C up to +35°C non condensing
Warranty	24 months
CE conformity / RoHS conformity	Yes



MEASURED RELATIVE SPECTRAL SENSITIVITY*:



PROGRES *SpeedXT core*® 5 IS AN **ADVANCED** SOLUTION FOR:

- Life science
- Quality control
- Material science
- Forensics

*based on EMVA 1288 standard compliance guidelines / effective spectral sensitivity on request